



# 12" Burial Landscape Subwoofer Owner's Manual

## RED12SUB-OUTDOOR

- 12" (30.48cm) DVC long throw driver  
polypropylene waterproof cone with rubber surround
- Frequency Response: 30Hz-300HZ  $\pm$  3 dB
- Impedance: 11 $\Omega$  +11 $\Omega$
- Power Range: 5-300W
- Sensitivity: 90 dB @ 1w/1m (8 $\Omega$ )
- Voice Coil: 2.0"
- Magnet Weight: 80 oz.(2.27 kg)
- Weight: 33 lbs. (14.96 kg)
- Enclosure: ASA + HDPVC
- Can be mounted vertically or horizontally
- Dimensions: Vertically: 16" (40.7cm) Diameter x 35" (88.9cm) H  
Horizontally: 29.6" (75.2cm) W x 15.9" (40.4cm) L x 27.7" (70.3cm) H



### Wiring:

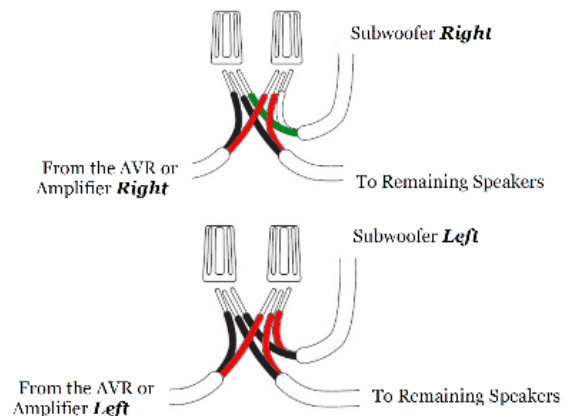
Shown below is the way to connect the RED12SUB 11+11 $\Omega$  DVC Subwoofer with up to six (6) RED4SAT or RED6SAT 16 $\Omega$  speakers. You can safely connect three (3) pairs of the RED4SAT or RED6SAT, along with a RED12SUB-OUTDOOR to any 2-Channel AVR or Audio Amplifier.

**Caution:** RED Atom Landscape Audio speakers are specifically designed to build a system with Red Atom subwoofers. Other speakers may have the wrong impedance and could damage your amplifier.

Recommended power rating of the amplifier should be 100W x 2. The 12" woofer does not perform well with a low power amplifier.

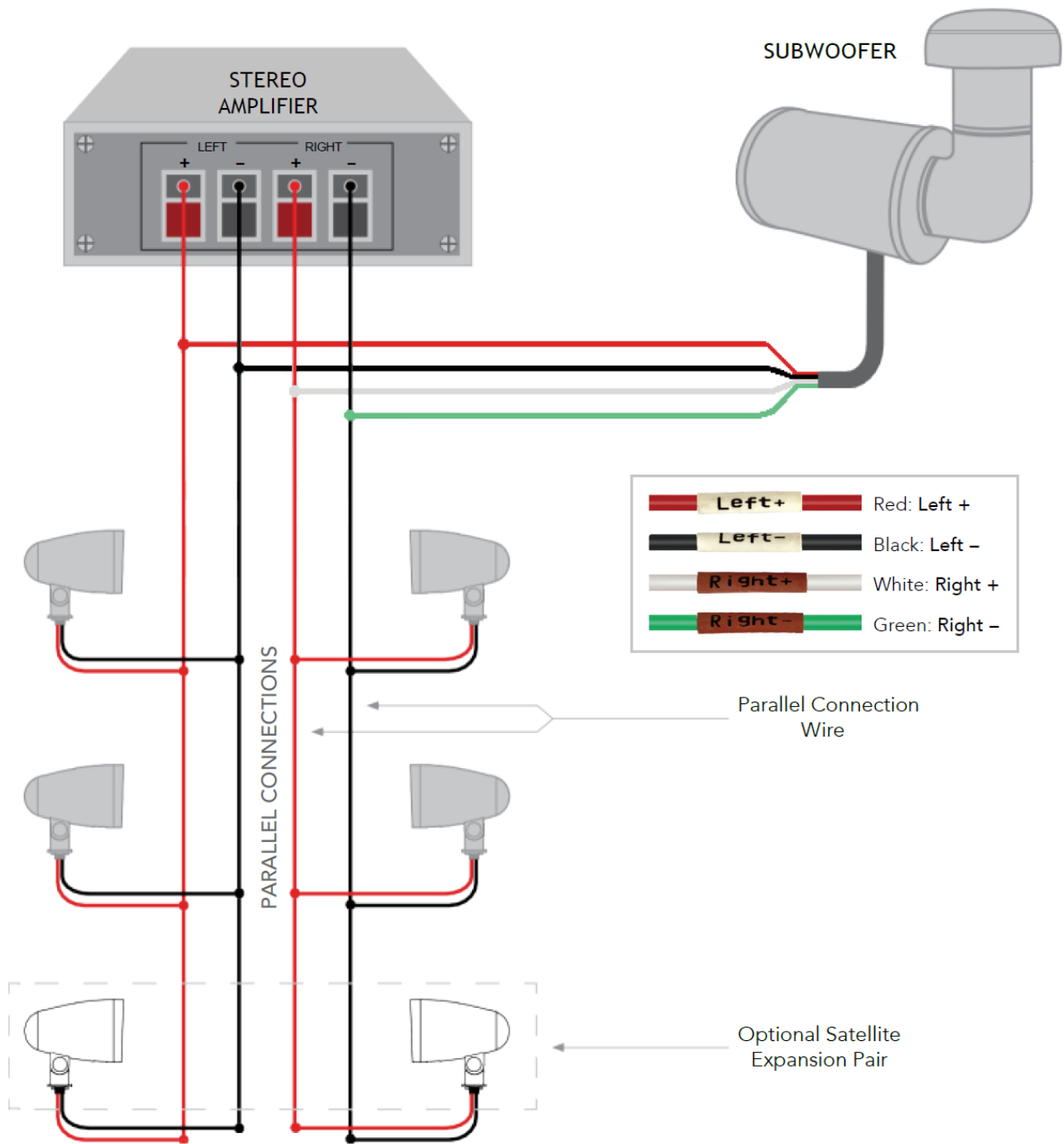
The Red Atom subwoofers feature labeled wires:  
Red is Left +, Black is Left -  
White is Right +, Green is Right -

Your Audio Source and Satellite Speakers use red for Positive & black for Negative.



We recommend that you use only multi-strand direct burial wire. The gauge of the wire will depend on the length of the run. Check our website for wire gauge recommendations.

# Recommended Wiring Diagram

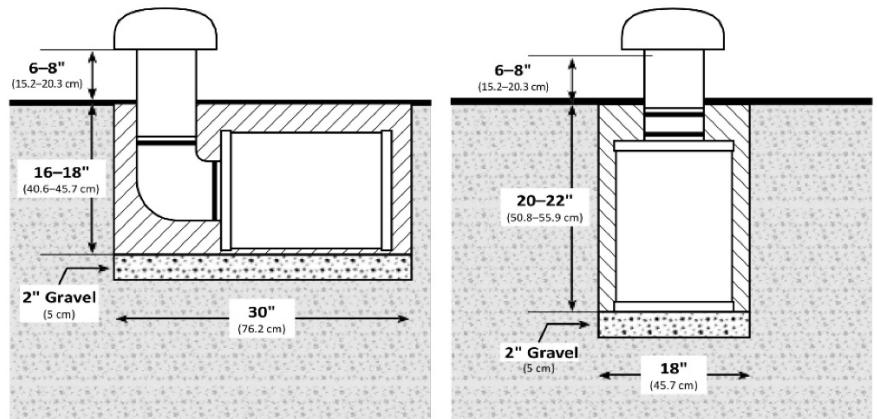


For more installation recommendations and tips, visit the Red Atom site:  
<https://redatomproducts.com/landscape-installation-recommendations/>  
Or, scan the QR code here.



The subwoofer can be installed vertically or horizontally. We recommend 2" of gravel at the bottom to allow for drainage.

Prior to digging, we recommend that you call 811 or 888-344-7233 in the United States. A person will come out and mark all the underground cables & gas line if applicable.



## Warranty:

- This warranty applies to US Residents who purchase from an authorized RED ATOM™ Dealer. RED ATOM subwoofers are covered against defects in materials and workmanship for 1 year from date of purchase.
- The above 1-year warranty will be extended for 5 years for any RED ATOM landscape speaker installed by a qualified professional custom integrator following manufacturer specifications.
- Within the warranty period, RED ATOM will repair or replace the defective component or product, at its sole discretion.
- **For warranty service:**
  - For RED ATOM speakers that were professionally installed, contact your installer directly.
  - For all other service requests, contact RED ATOM at [info@redatomproducts.com](mailto:info@redatomproducts.com).
- For all warranty service requests, you must supply a copy of your original receipt and installation service order if applicable. If your product must be shipped to RED ATOM for inspection, you will be responsible for the shipping charges. For warranty replacements, RED ATOM will ship product back to you for free.
- RED ATOM disclaims any liability for modifications, improper installations, installations over the specified weight range, or failure to follow care instructions provided by RED ATOM. To the maximum extent permitted by law, RED ATOM disclaims any other warranties, expressed or implied, including warranties of fitness for a particular purpose and warranties of merchantability. RED ATOM will not be liable for any damages arising out of the use of, or inability to use, RED ATOM. This warranty gives you specific legal rights, and you may also have other rights which vary from state to state. Specifications are subject to change without prior notice.
- Failure to follow product care instructions from REDATOM will result in void of warranty.

Thank you for your purchase of a RED ATOM product!